

6 5 4 3 2 1

D

D

C

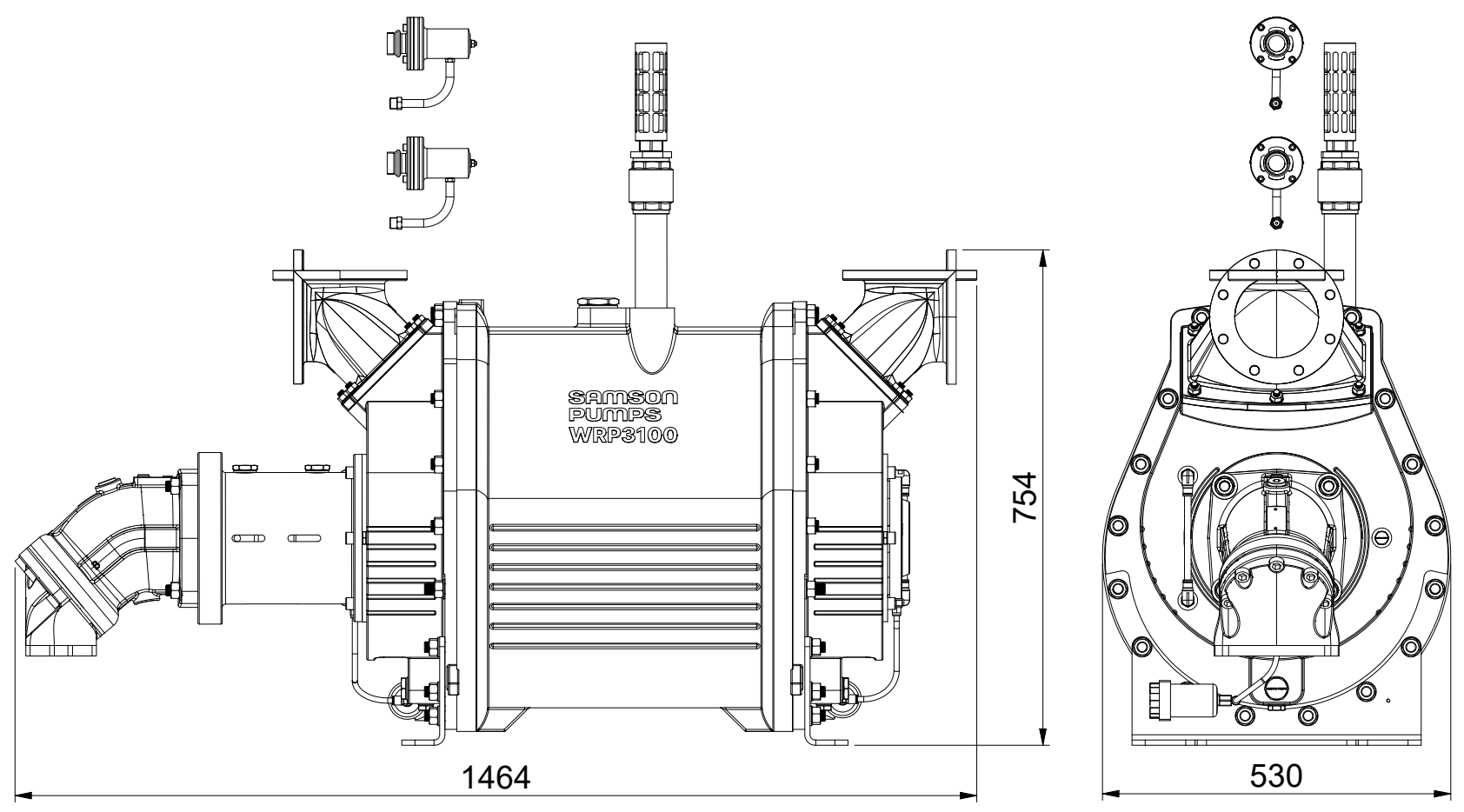
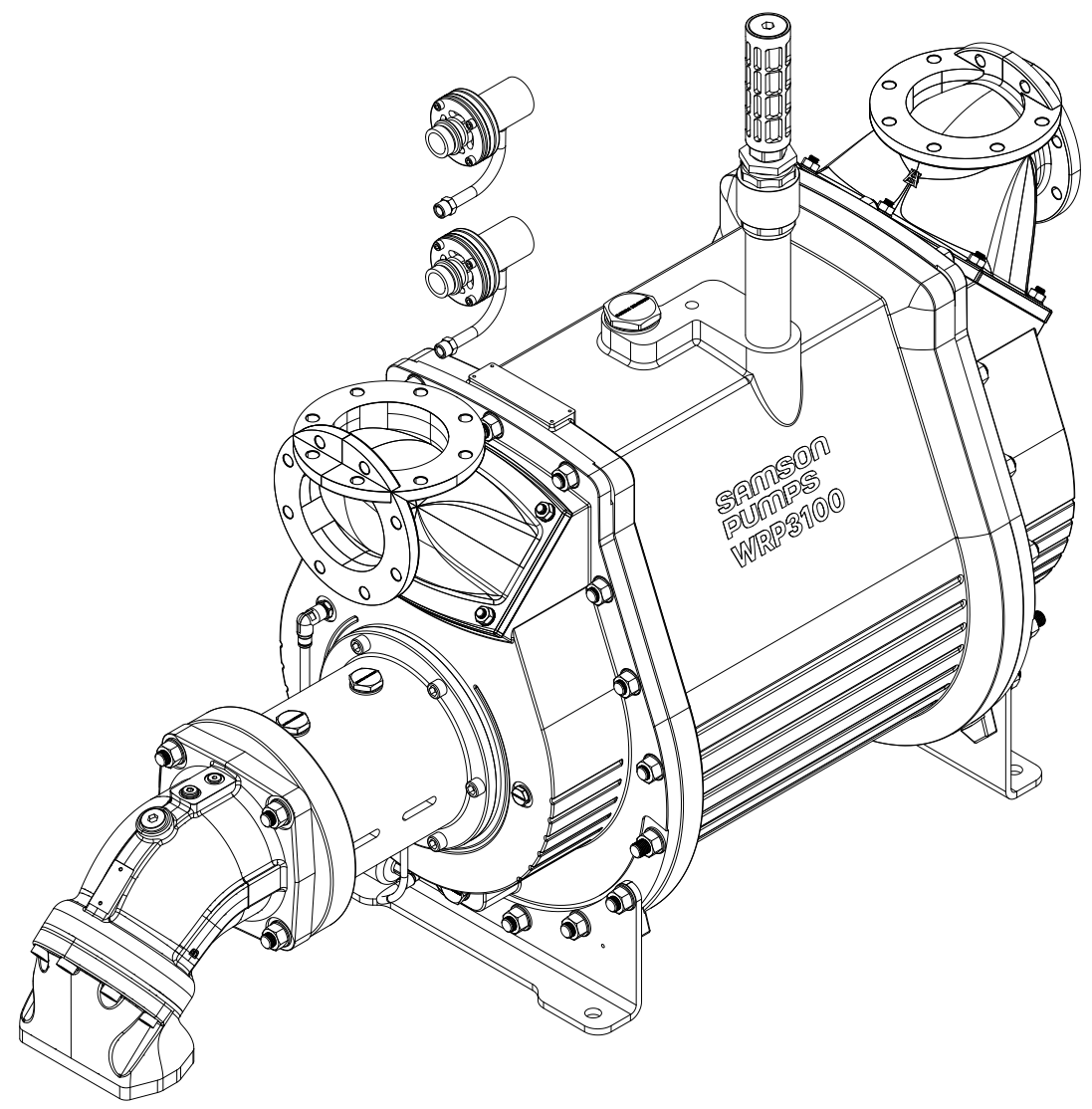
C

B

B

A

A

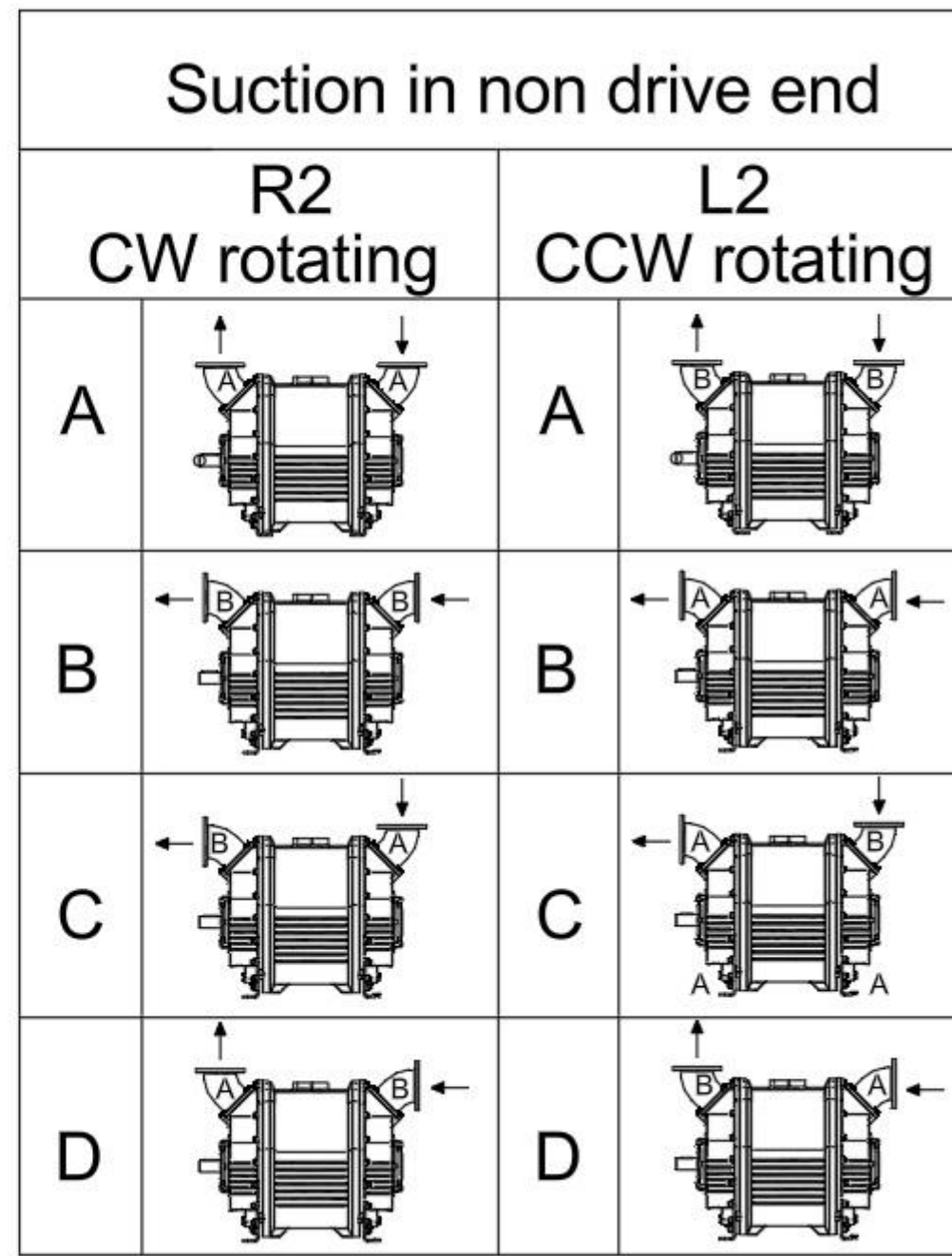
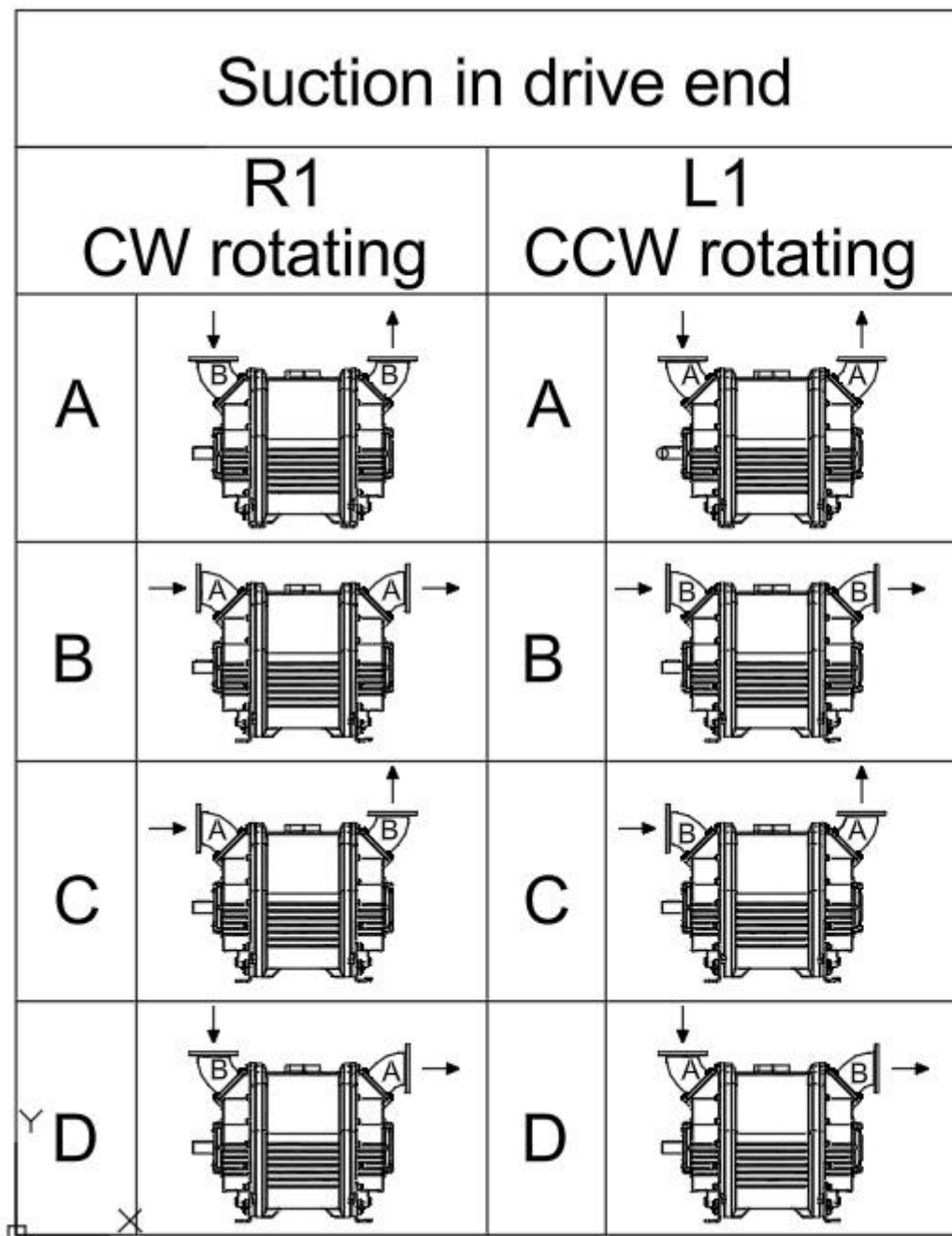


PS! All combinations are shown, remove the ones you don't have for your pump.  
 PS! Ex.1 and a regular model look the same from the outside.

See Diagram on Sheet 2 for selecting Connection flange.  
 Connection flange type A Item no: 1659017  
 Connection flange type B Item no: 1659039

NOTE:	DDMMYY					
	DDMMYY					
	Title: WRP 3100L			Format <b>A3</b>	Sign 3D:JJ 2D:JJ	Date of creation 23-04-2026
	Hydraulic motor set for WRP3100 cm3/rev 162 ISO			Surf. treat.		
			Part number		Sheet 1 of 2	
			1700173		Rev.	
<small>Reproduction not permitted, may not be distributed, copied or used by third parties, without written authorization from Samson Pumps A/S. All rights reserved.</small>						

6 5 4 3 2 1



NOTE:

	DDMMYY		
	DDMMYY		
Title:	WRP 3100L	Format <b>A3</b>	Sign 3D:JJ 2D:JJ
	Hydraulic motor set for WRP3100 cm3/rev 162 ISO	Date of creation 23-04-2026	
		Surf. treat.	
<b>SAMSON PUMPS</b>		Part number	Sheet 2 of 2
Reproduction not permitted, may not be distributed, copied or used by third parties, without written authorization from Samson Pumps A/S. All rights reserved.		1700173	Rev.