

6 5 4 3 2 1

D

D

C

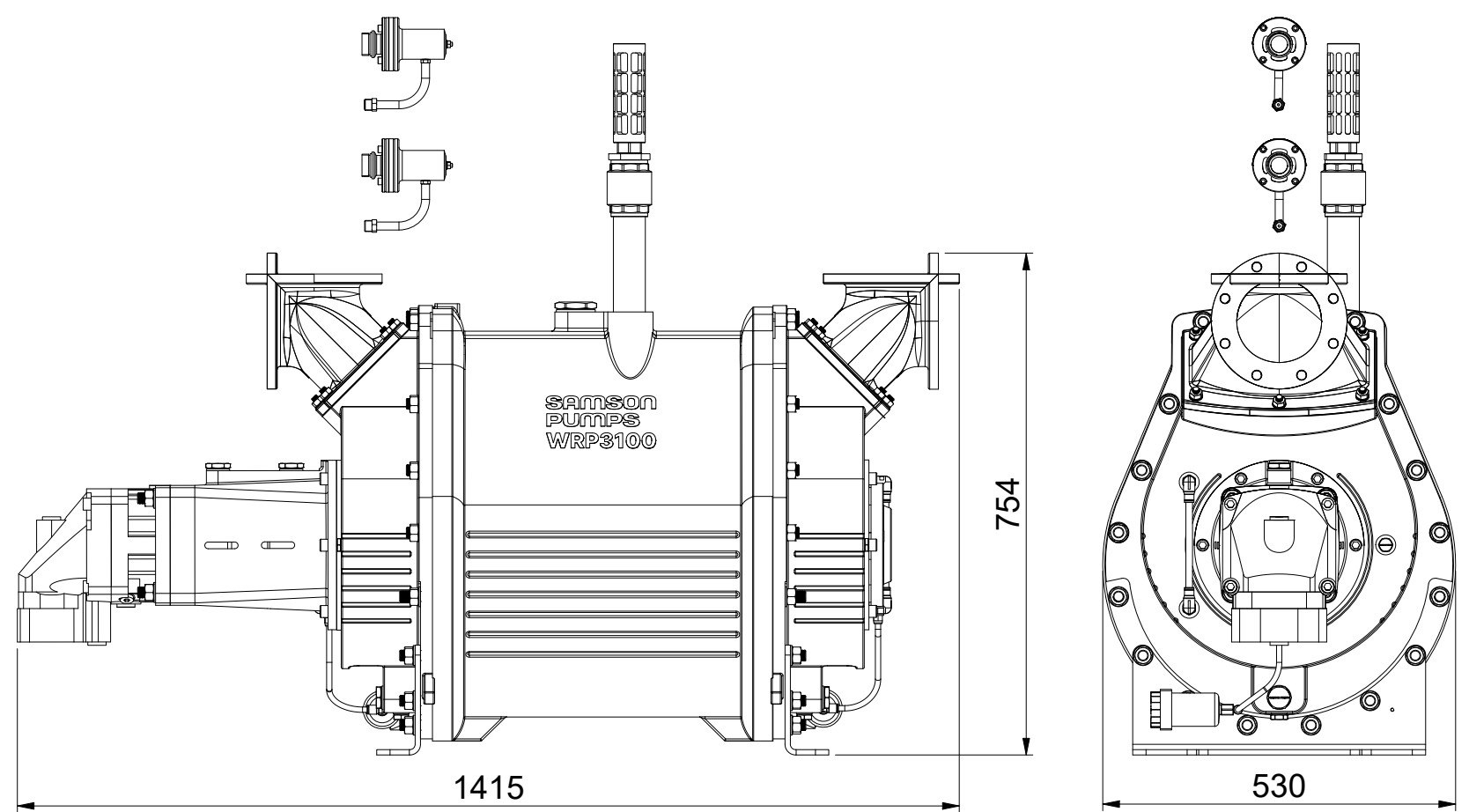
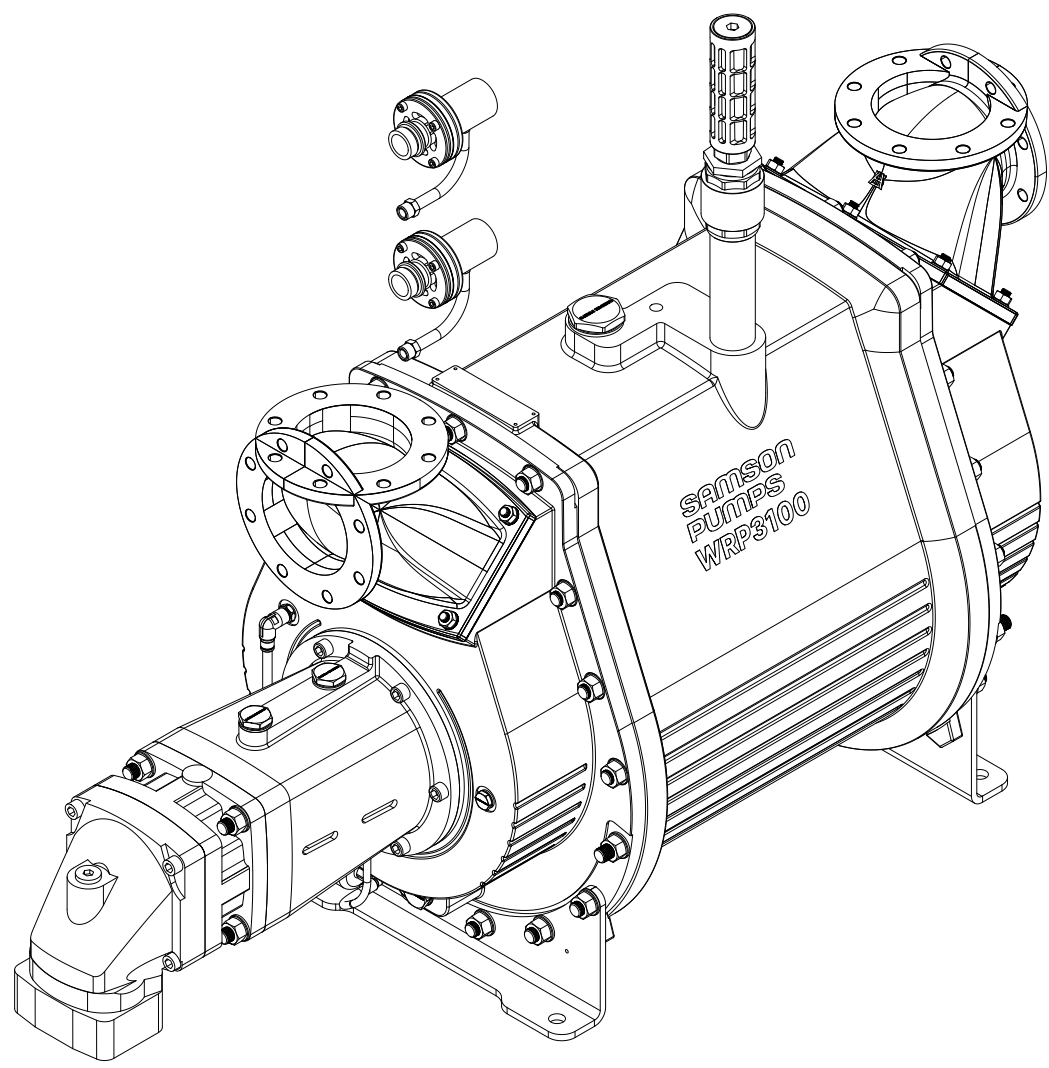
C

B

B

A

A

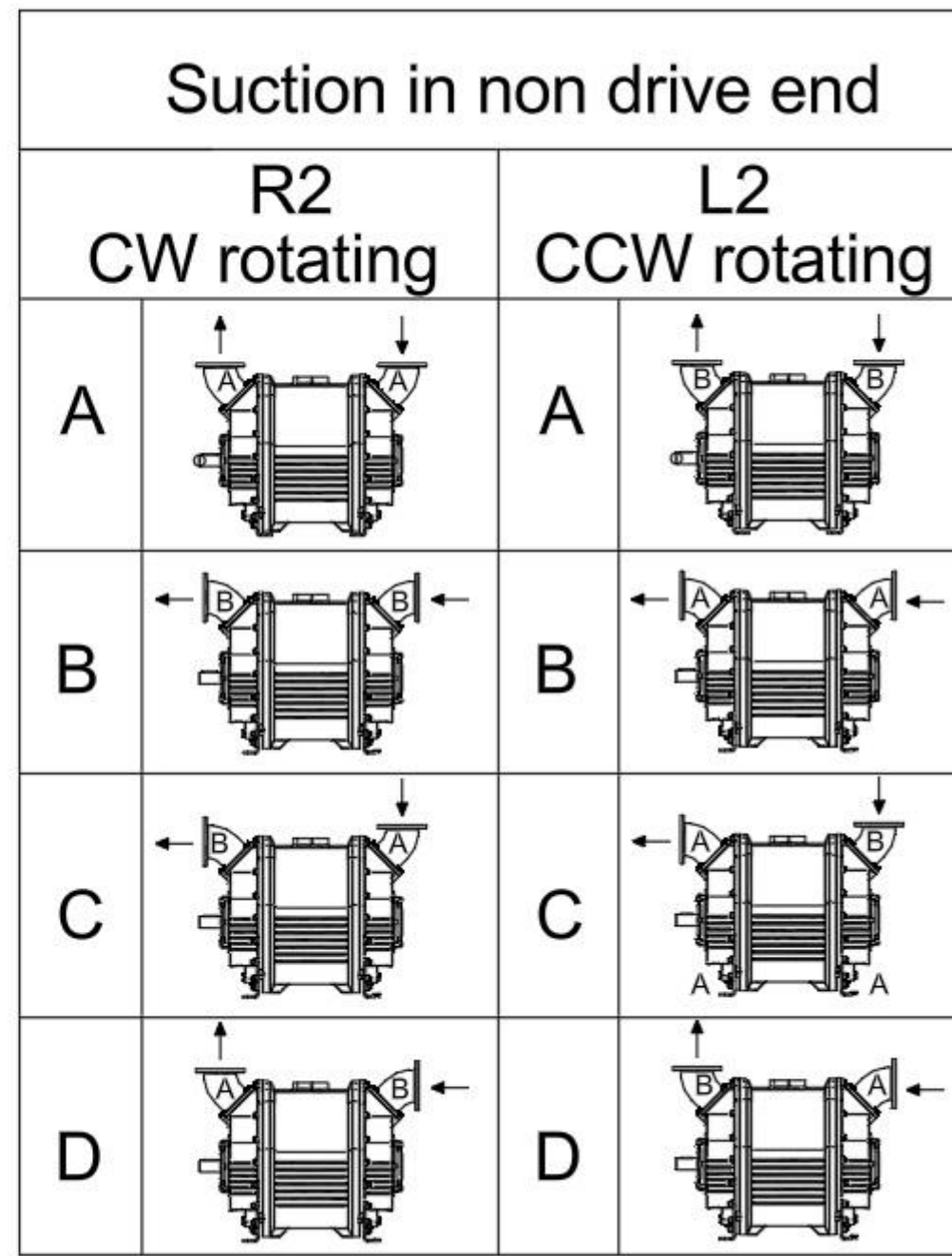
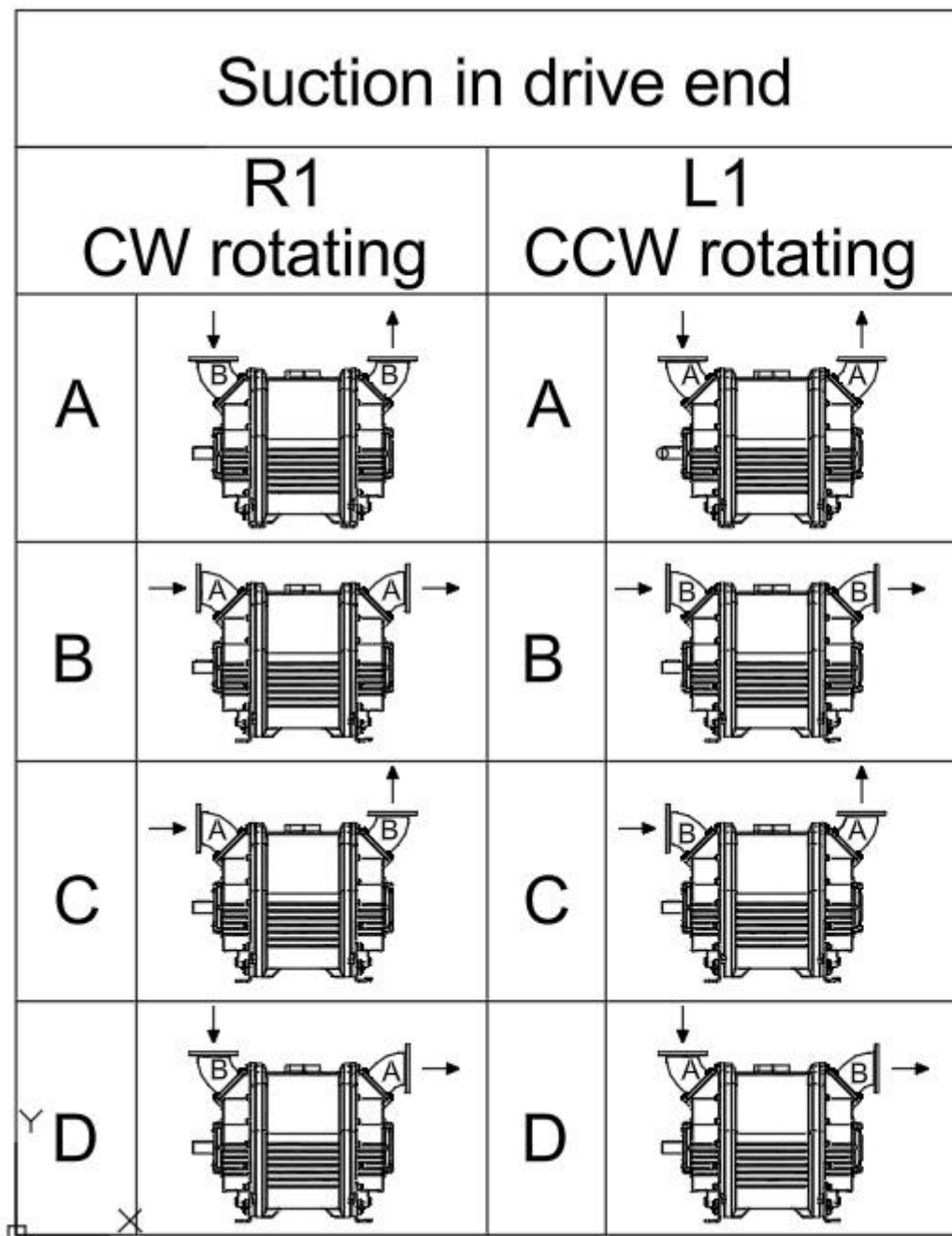


PS! All combinations are shown, remove the ones you don't have for your pump.
 PS! Ex.1 and a regular model look the same from the outside.

See Diagram on Sheet 2 for selecting Connection flange.
 Connection flange type A Item no: 1659017
 Connection flange type B Item no: 1659039

NOTE:	DDMMYY					
	DDMMYY					
	Title: WRP 3100L			Format A3	Sign 3D:JJ 2D:JJ	Date of creation 23-04-2026
	Hydraulic motor set for WRP3100 cm3/rev 125 ISO			Surf. treat.		
			Part number		Sheet 1 of 2	
			1700172		Rev.	
<small>Reproduction not permitted, may not be distributed, copied or used by third parties, without written authorization from Samson Pumps A/S. All rights reserved.</small>						

6 5 4 3 2 1



NOTE:

DDMMYY		DDMMYY			
Title:		WRP 3100L		Format	Sign
Hydraulic motor set for WRP3100 cm3/rev 125 ISO				A3	3D:JJ 2D:JJ
				Date of creation	23-04-2026
				Surf. treat.	
				Part number	1700172
				Sheet	2 of 2
				Rev.	

SAMSON PUMPS

Reproduction not permitted, may not be distributed, copied or used by third parties, without written authorization from Samson Pumps A/S. All rights reserved.