

6

5

4

3

2

1

D

D

C

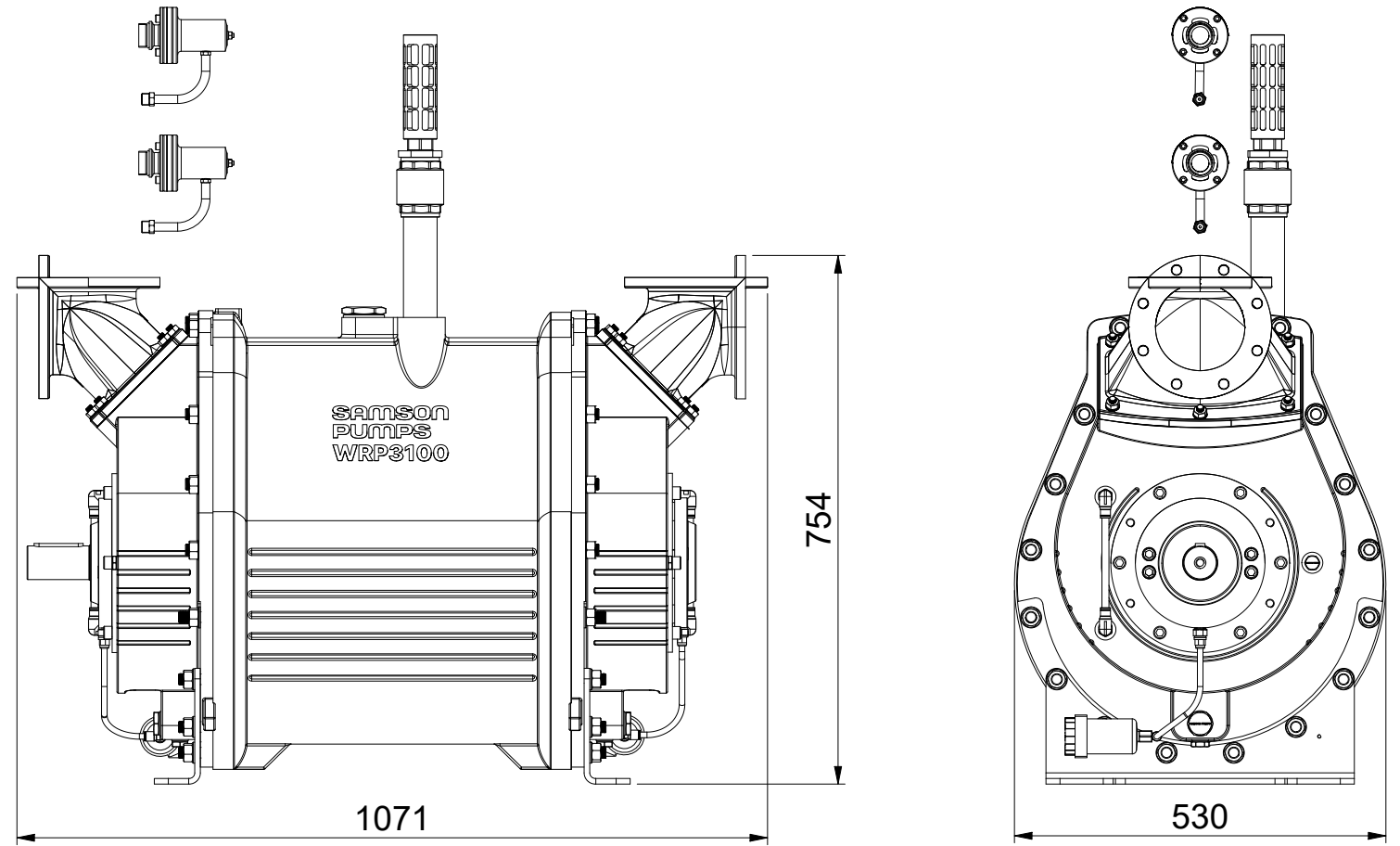
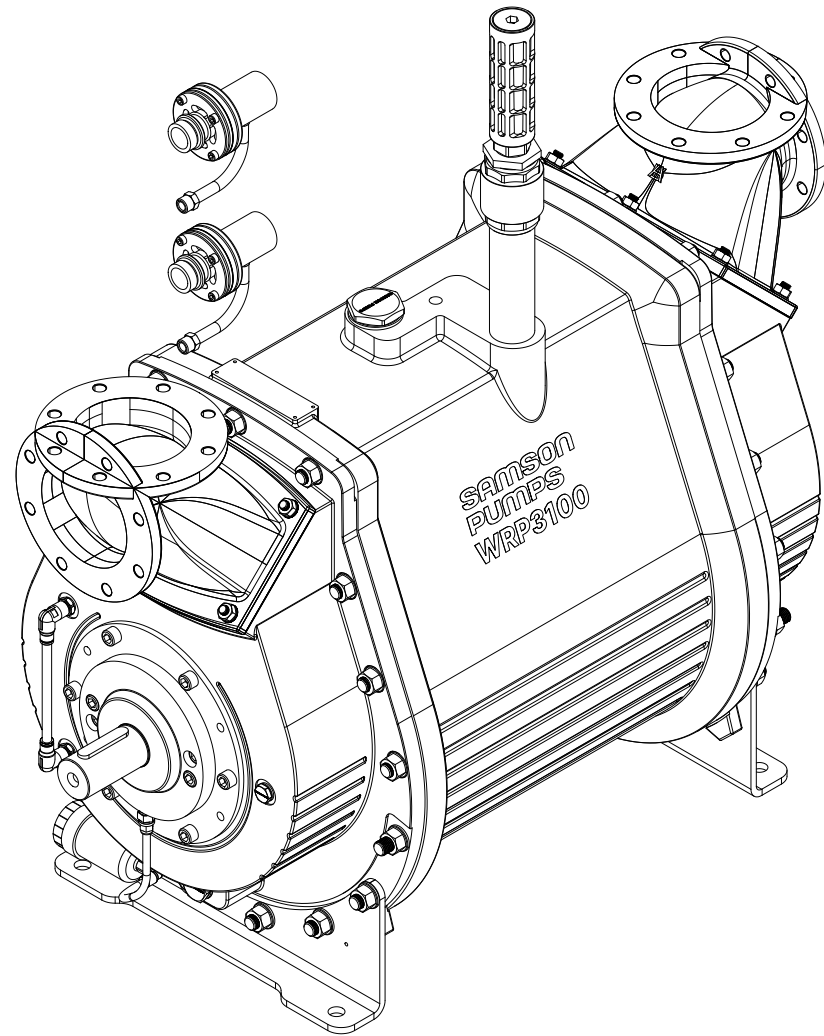
C

B

B

A

A



PS! All combinations are shown, remove the ones you don't have for your pump.
 PS! Ex.1 and a regular model look the same from the outside.

See Diagram on Sheet 2 for selecting Connection flange.
 Connection flange type A Item no: 1659017
 Connection flange type B Item no: 1659039

NOTE:

		DDMMYY		
		DDMMYY		
Title:		WRP 3100L	Format A3	Sign 3D:JJ 2D:JJ
			Date of creation 23-04-2026	
			Surf. treat.	
SAMSON PUMPS		Part number		Sheet 1 of 2
Reproduction not permitted, may not be distributed, copied or used by third parties, without written authorization from Samson Pumps A/S. All rights reserved.		1700171		Rev.

6

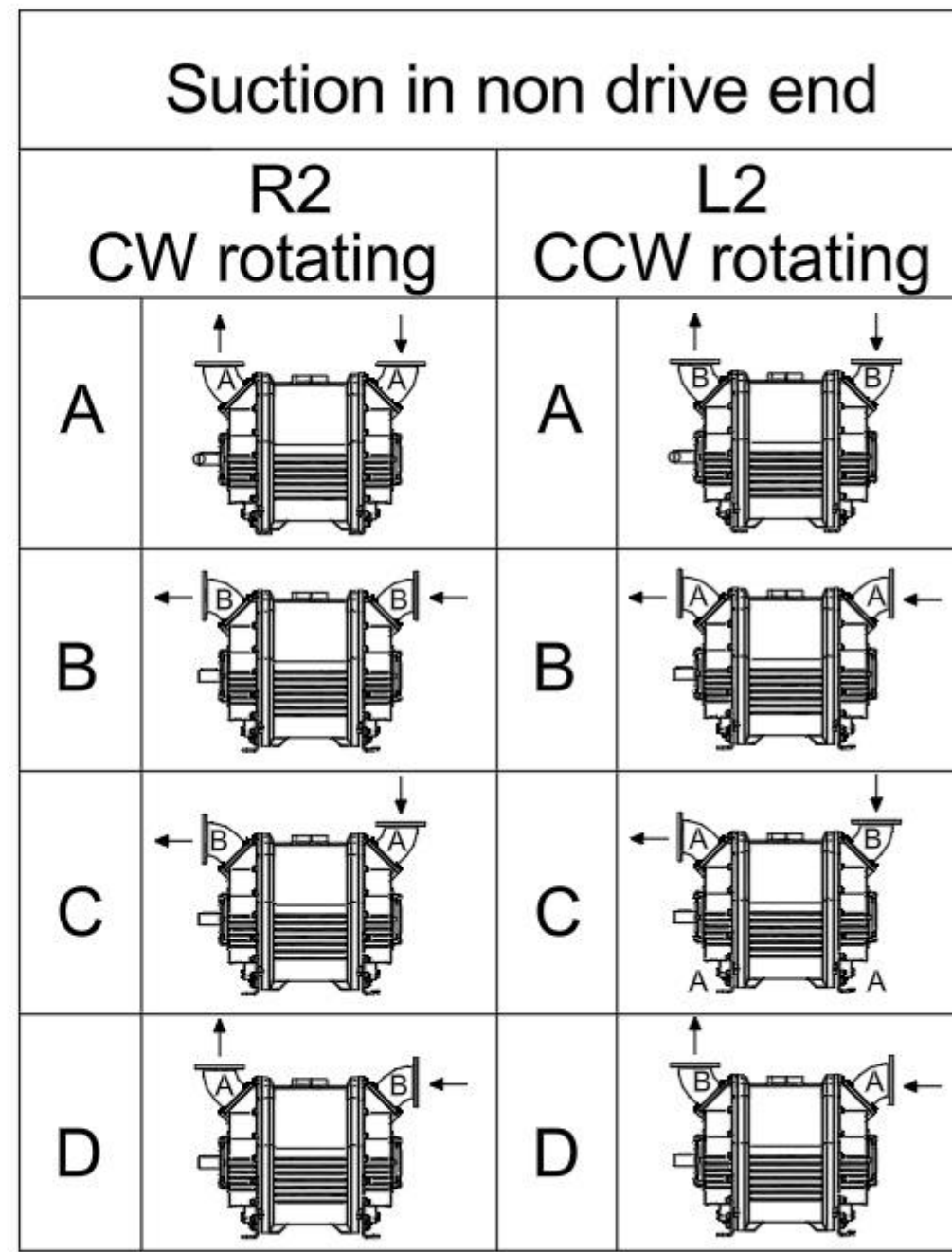
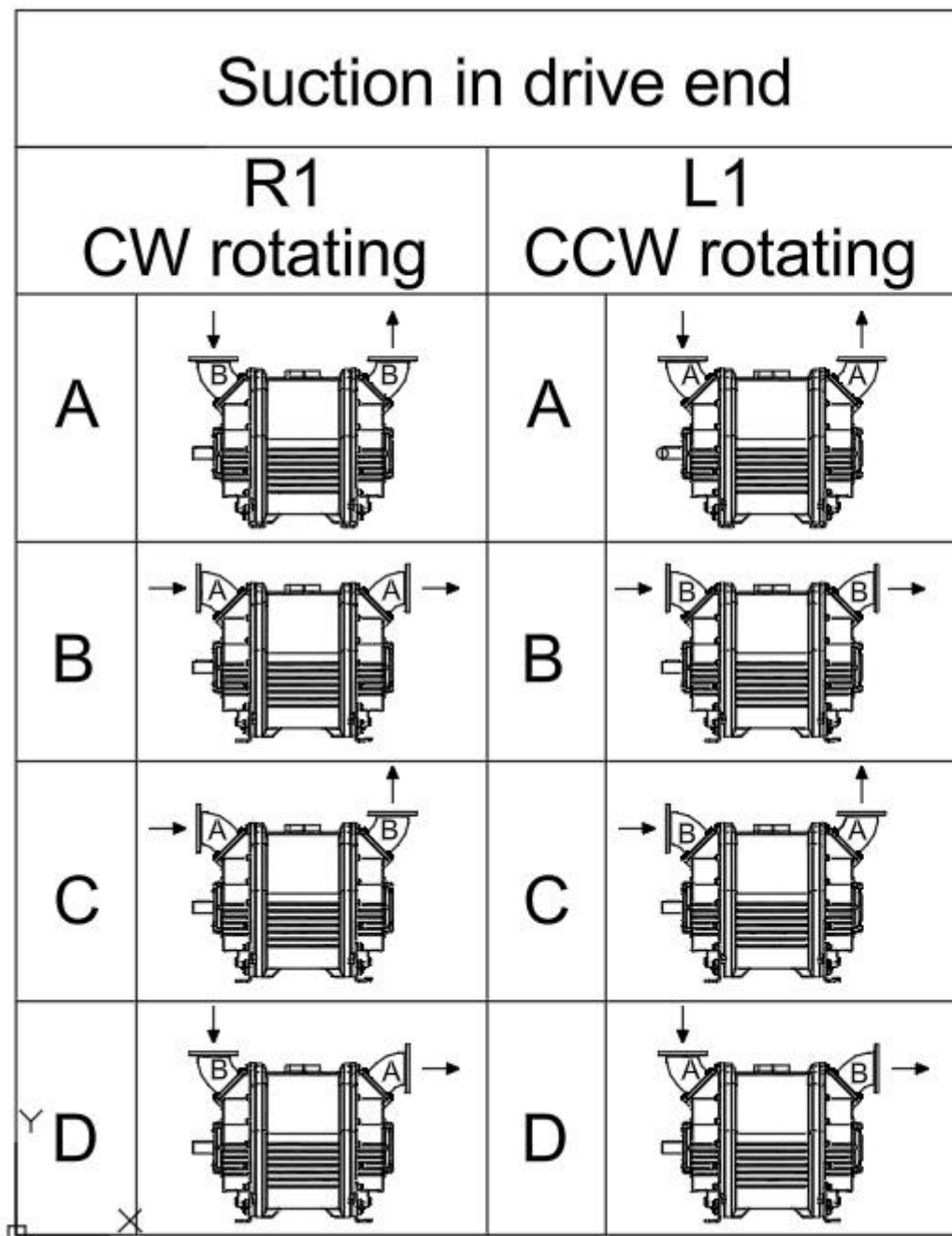
5

4

3

2

1



NOTE:

	DDMMYY		
	DDMMYY		
Title:	WRP 3100L	Format A3	Sign 3D:JJ 2D:JJ
		Surf. treat.	Date of creation 23-04-2026
SAMSON PUMPS		Part number	
		1700171	Sheet 2 of 2
Reproduction not permitted, may not be distributed, copied or used by third parties, without written authorization from Samson Pumps A/S. All rights reserved.		Rev.	