

6 5 4 3 2 1

D

D

C

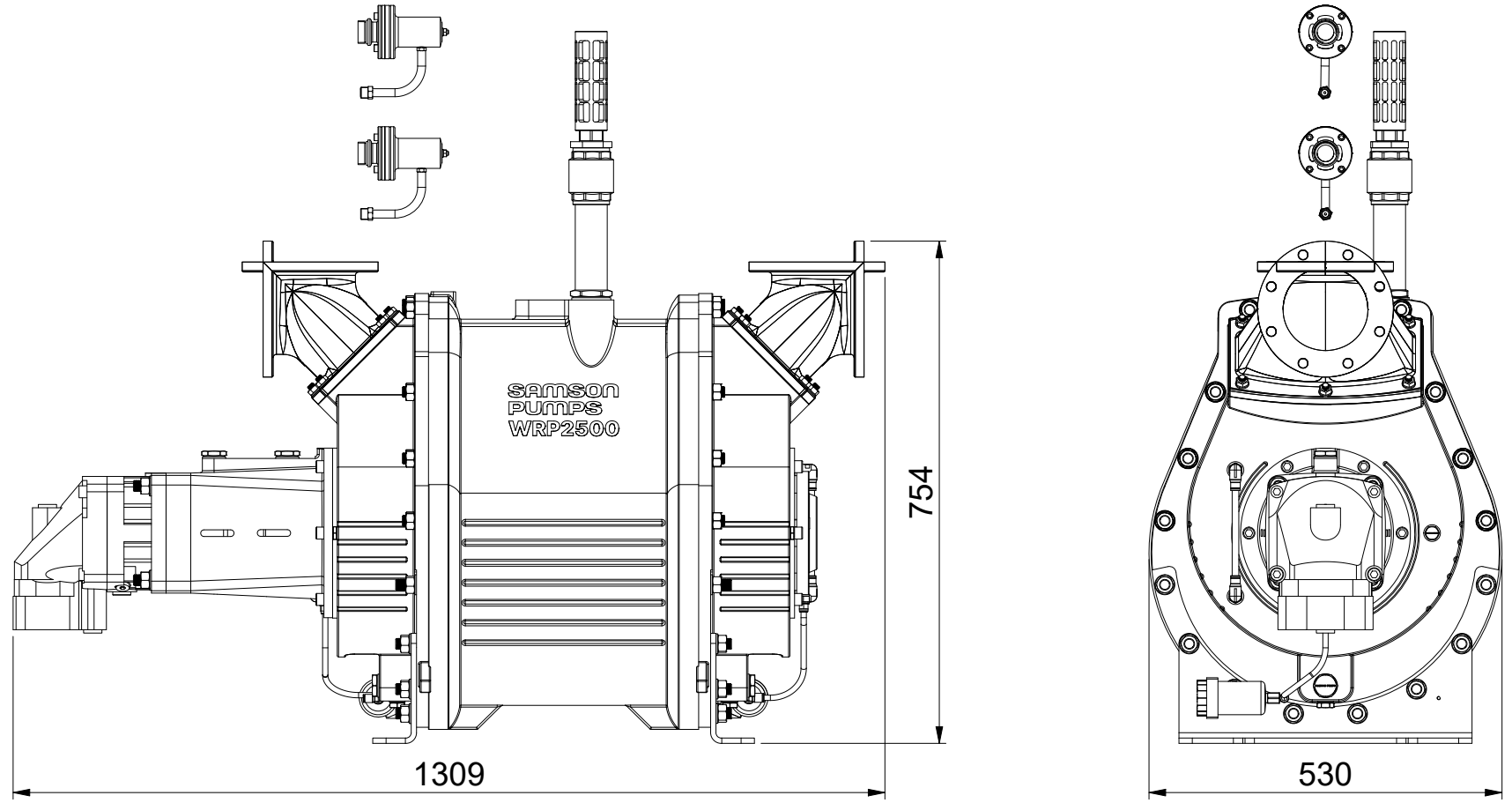
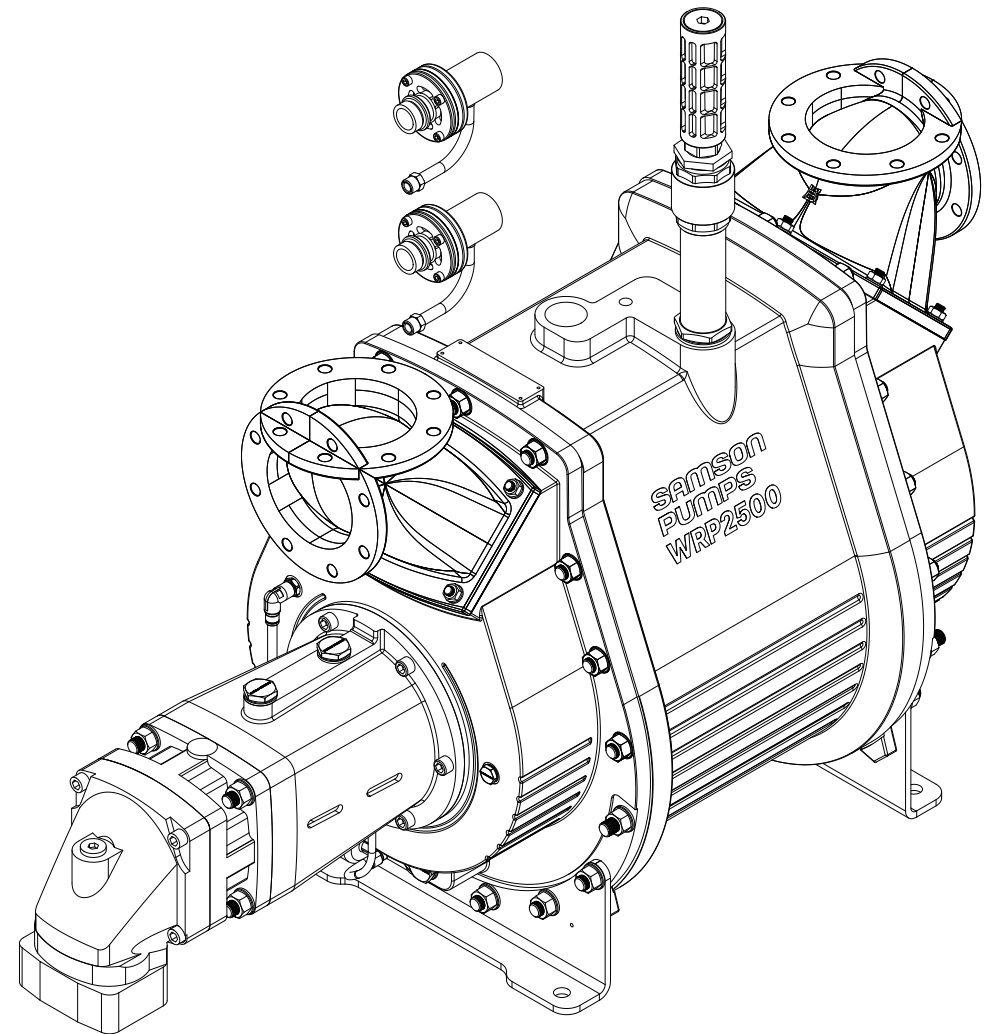
C

B

B

A

A



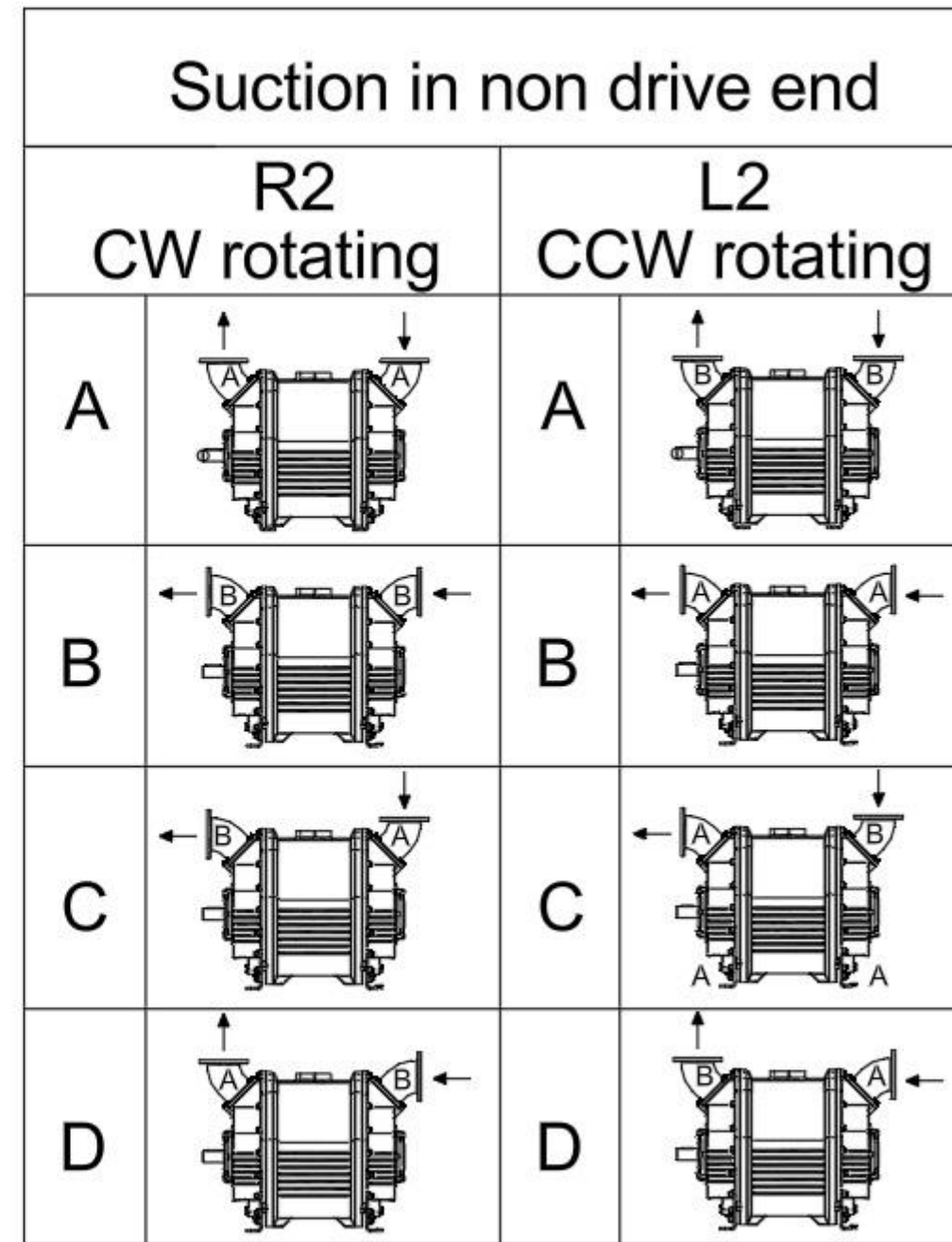
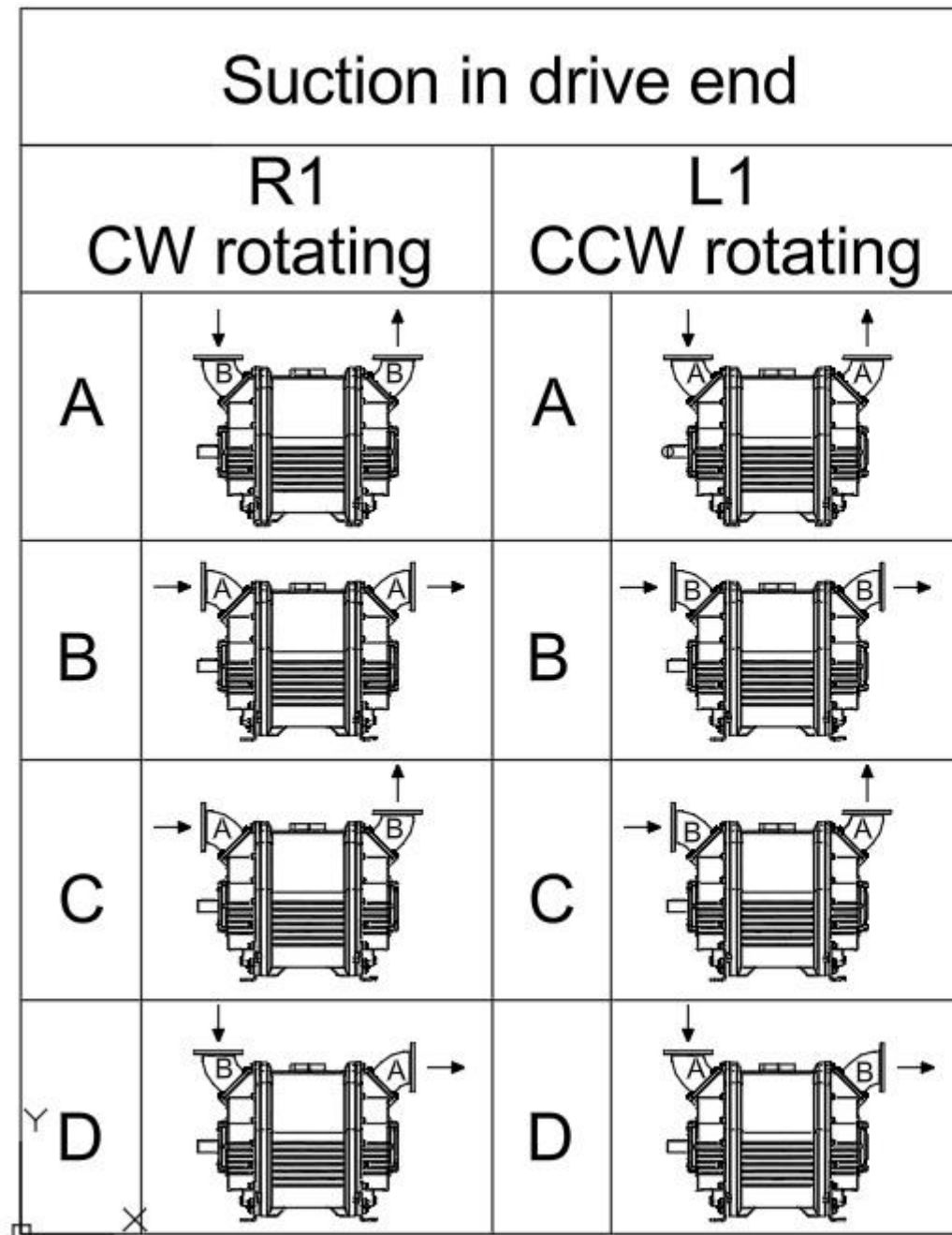
PS! All combinations are shown, remove the ones you don't have for your pump.
 PS! Ex.1 and a regular model look the same from the outside.

See Diagram on Sheet 2 for selecting Connection flange.
 Connection flange type A Item no: 1659017
 Connection flange type B Item no: 1659039

NOTE:	DDMMYY				
	DDMMYY				
	Title: WRP2500L		Format A3	Sign 3D:JJ 2D:JJ	Date of creation 22-04-2026
	Hydraulic motor set for WRP2500 cm3/rev 125 ISO		Surf. treat.		
		Part number		Sheet 1 of 2	
		1700166		Rev.	

Reproduction not permitted, may not be distributed, copied or used by third parties, without written authorization from Samson Pumps A/S. All rights reserved.

6 5 4 3 2 1



NOTE:

	DDMMYY		
	DDMMYY		
Title:	WRP2500L	Format A3	Sign 3D:JJ 2D:JJ
	Hydraulic motor set for WRP2500 cm3/rev 125 ISO	Date of creation 22-04-2026	
		Surf. treat.	
SAMSON PUMPS		Part number	Sheet 2 of 2
Reproduction not permitted, may not be distributed, copied or used by third parties, without written authorization from Samson Pumps A/S. All rights reserved.		1700166	Rev.