

6

5

4

3

2

1

D

D

C

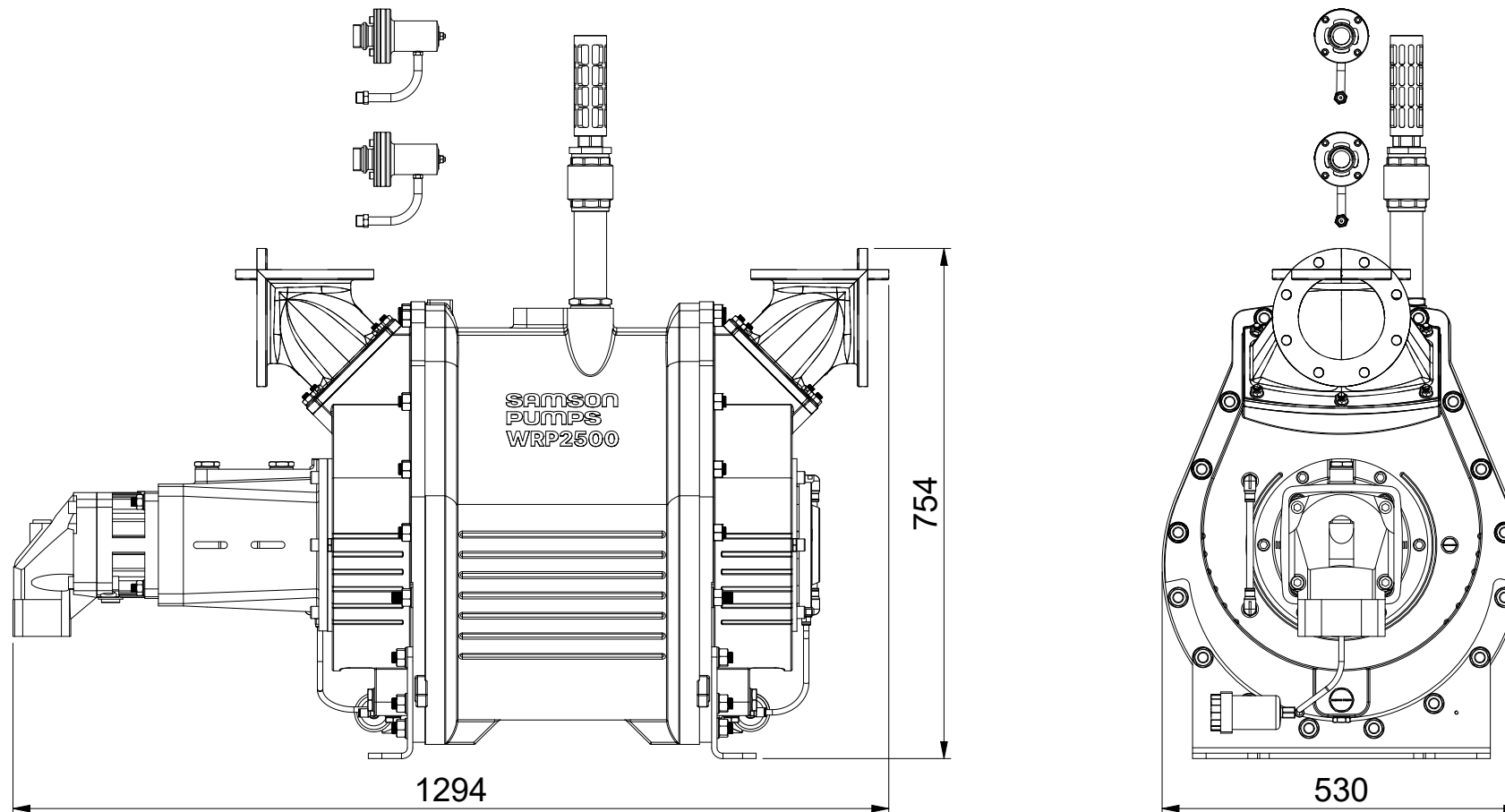
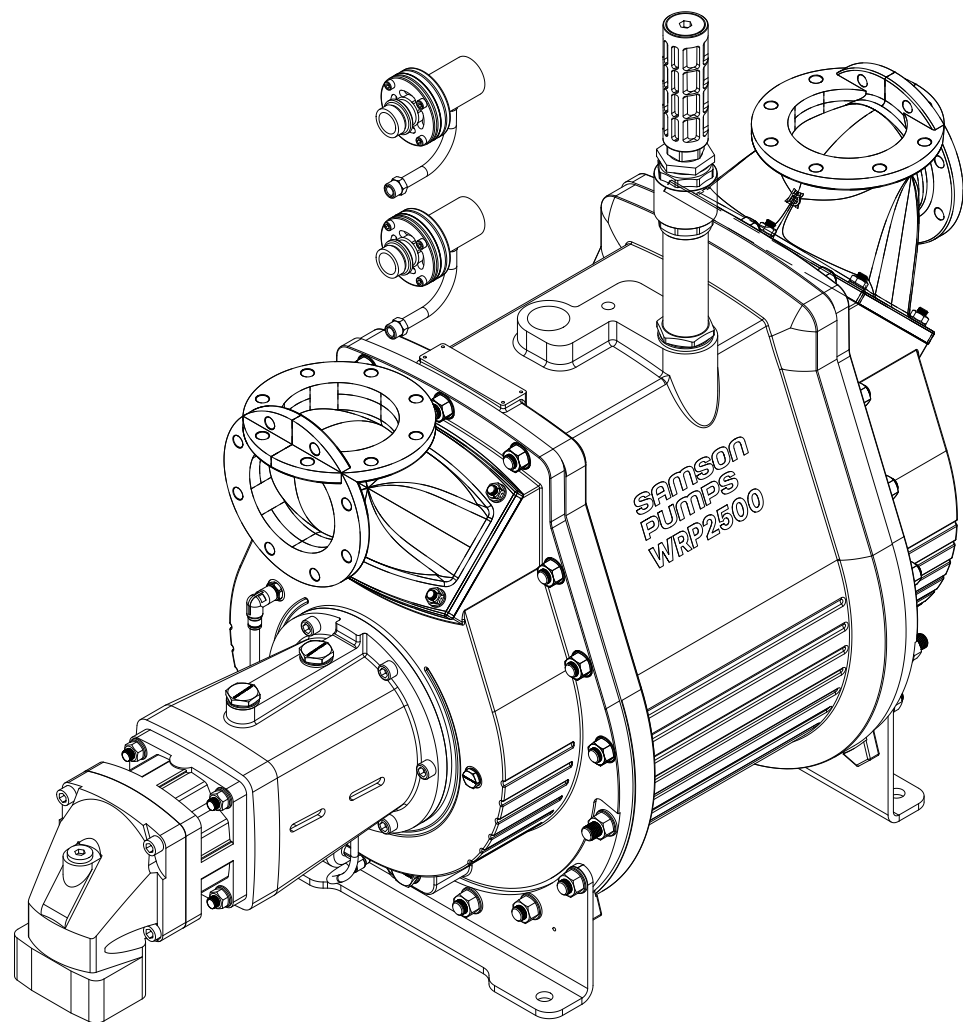
C

B

B

A

A



PS! All combinations are shown, remove the ones you don't have for your pump.
 PS! Ex.1 and a regular model look the same from the outside.

See Diagram on Sheet 2 for selecting Connection flange.
 Connection flange type A Item no: 1659017
 Connection flange type B Item no: 1659039

NOTE:

	DDMMYY			
	DDMMYY			
Title:	WRP2500L		Format A3	Sign 3D:JJ 2D:JJ
	Hydraulic motor set for WRP2500 cm3/rev 093 ISO		Date of creation 20-04-2026	
			Surf. treat.	
SAMSON PUMPS			Part number	Sheet 1 of 2
Reproduction not permitted, may not be distributed, copied or used by third parties, without written authorization from Samson Pumps A/S. All rights reserved.			1700165	Rev.

6

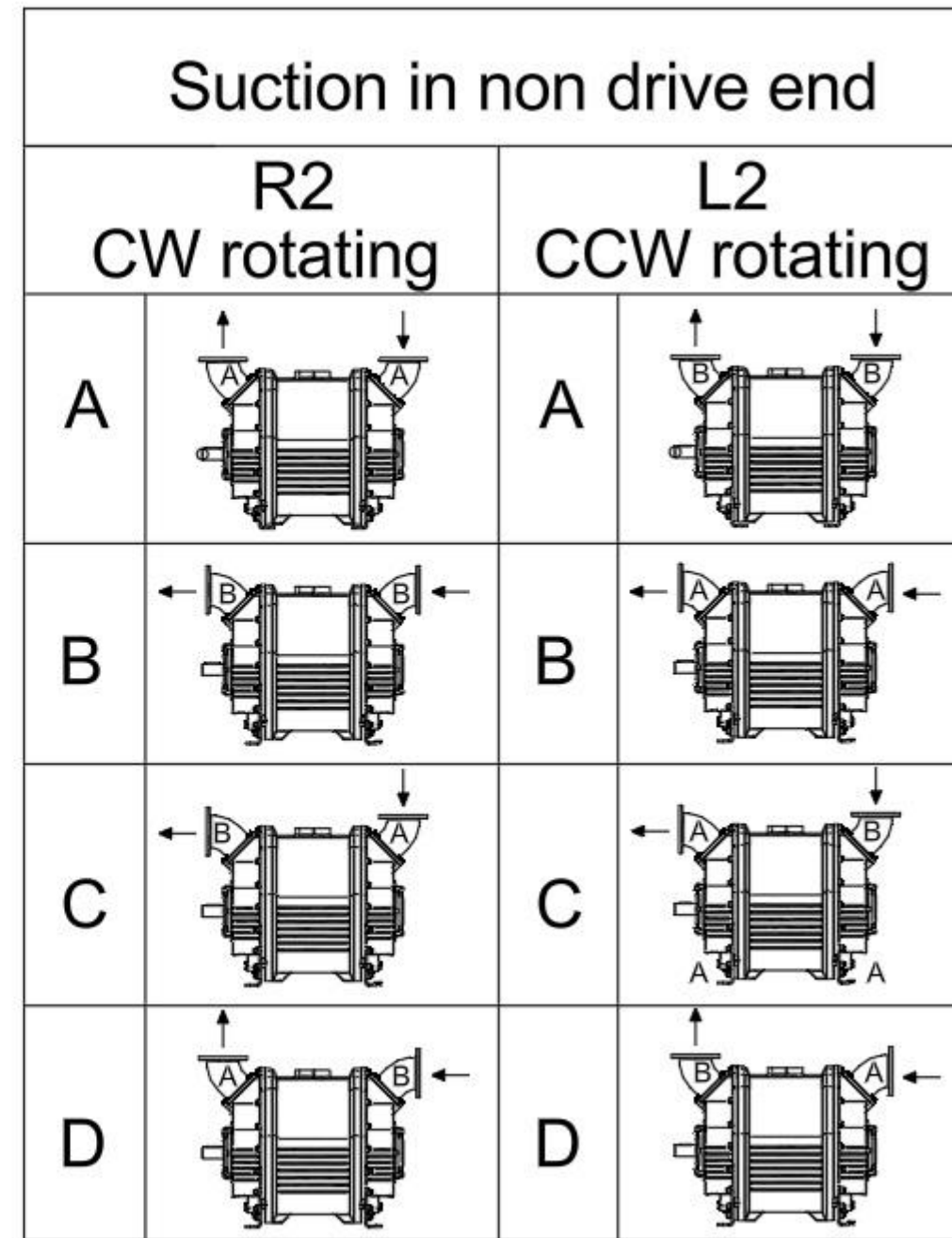
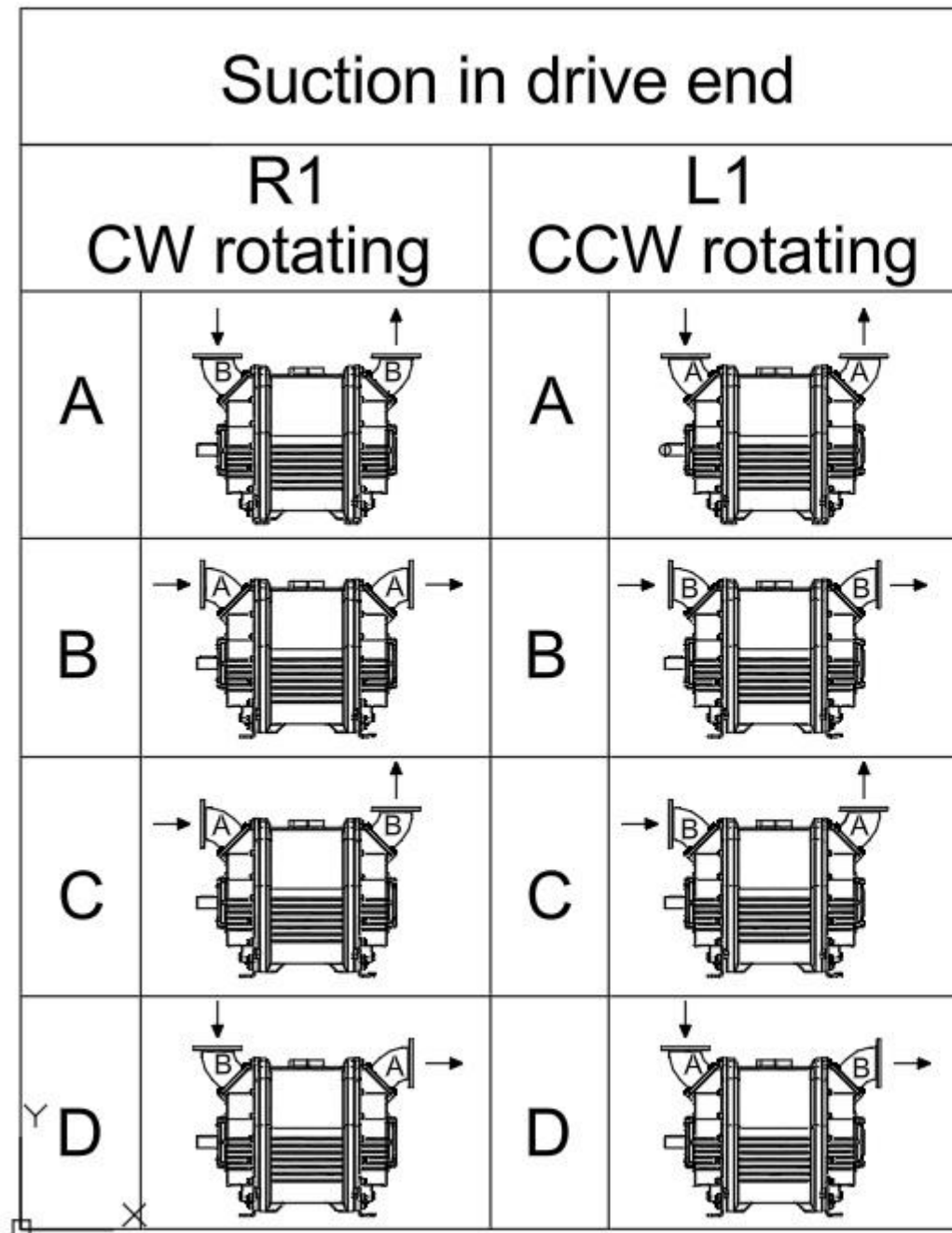
5

4

3

2

1



NOTE:

DDMMYY		DDMMYY			
Title:		WRP2500L		Format	Sign
Hydraulic motor set for WRP2500 cm3/rev 093 ISO		Surf. treat.		3D:JJ	2D:JJ
Date of creation		20-04-2026		Date of creation	
Part number		1700165		Sheet 2 of 2	
Rev.				Rev.	

SAMSON PUMPS

Reproduction not permitted, may not be distributed, copied or used by third parties, without written authorization from Samson Pumps A/S. All rights reserved.