

6

5

4

3

2

1

D

D

C

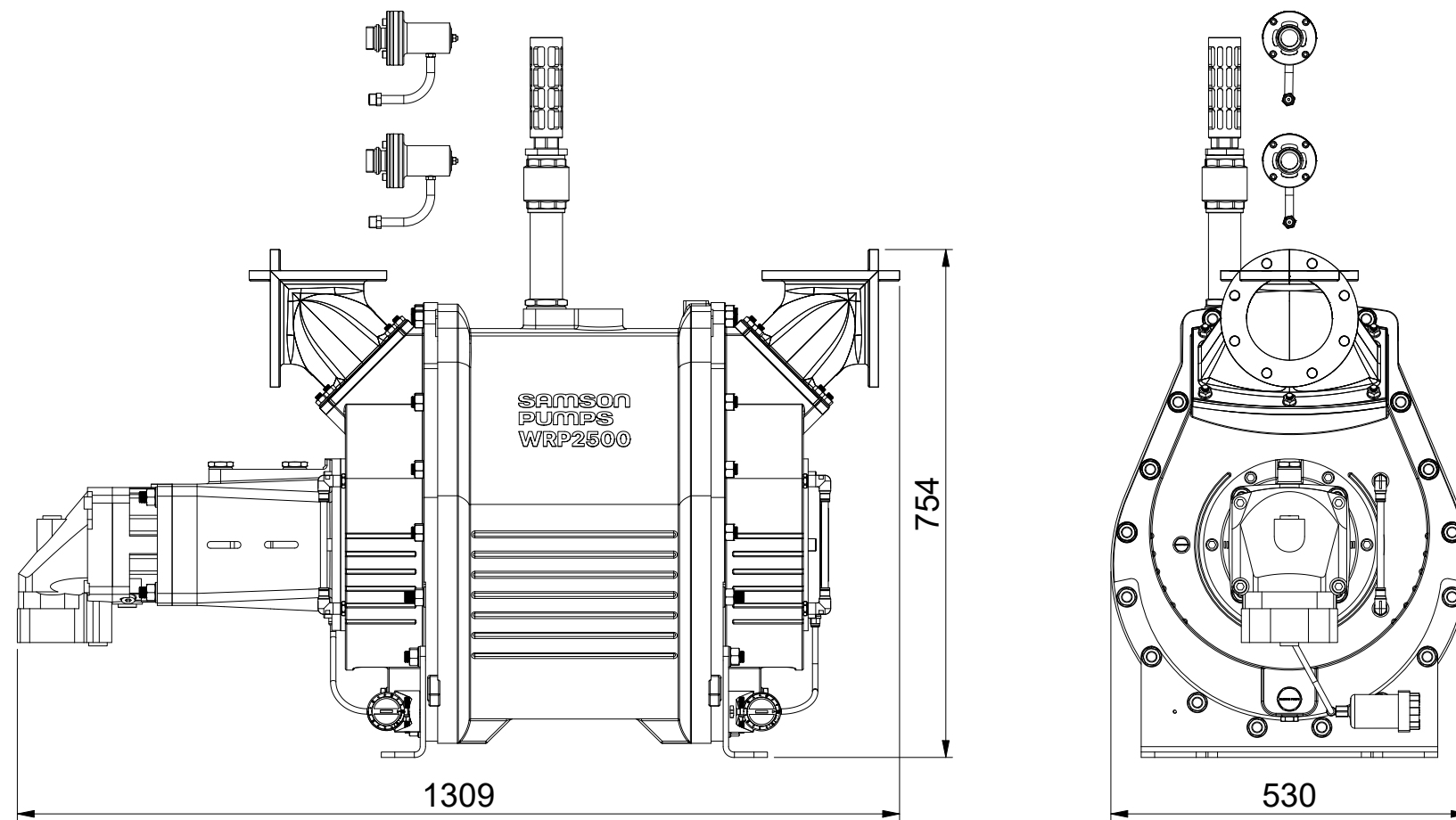
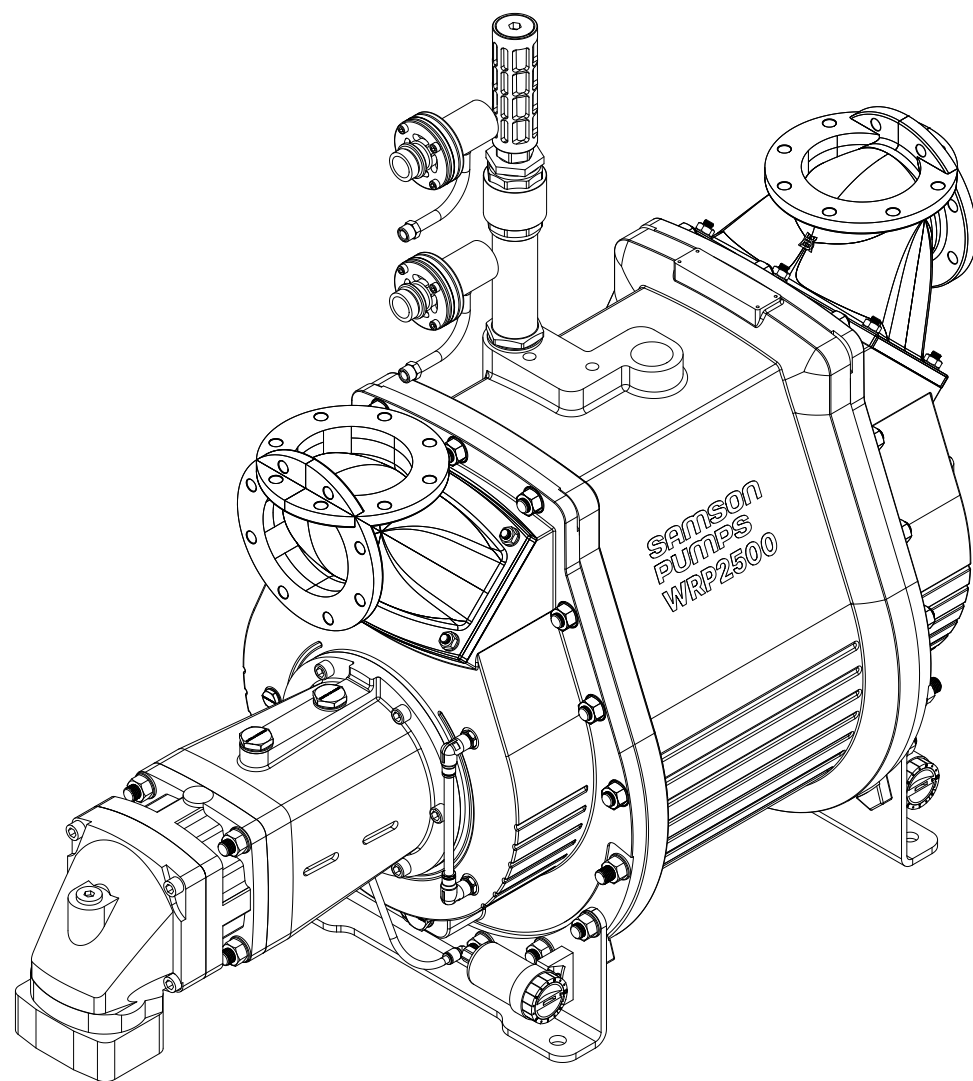
C

B

B

A

A



PS! All combinations are shown, remove the ones you don't have for your pump.
 PS! Ex.1 and a regular model look the same from the outside.

See Diagram on Sheet 2 for selecting Connection flange.
 Connection flange type A Item no: 1659017
 Connection flange type B Item no: 1659039

NOTE:

	DDMMYY			
	DDMMYY			
Title:	WRP2500R	Format A3	Sign 3D:JJ 2D:JJ	Date of creation 20-04-2026
	Hydraulic motor set for WRP2500 cm3/rev 125 ISO	Surf. treat.		
SAMSON PUMPS		Part number		Sheet 1 of 2
<small>Reproduction not permitted, may not be distributed, copied or used by third parties, without written authorization from Samson Pumps A/S. All rights reserved.</small>		1700162		Rev.

6

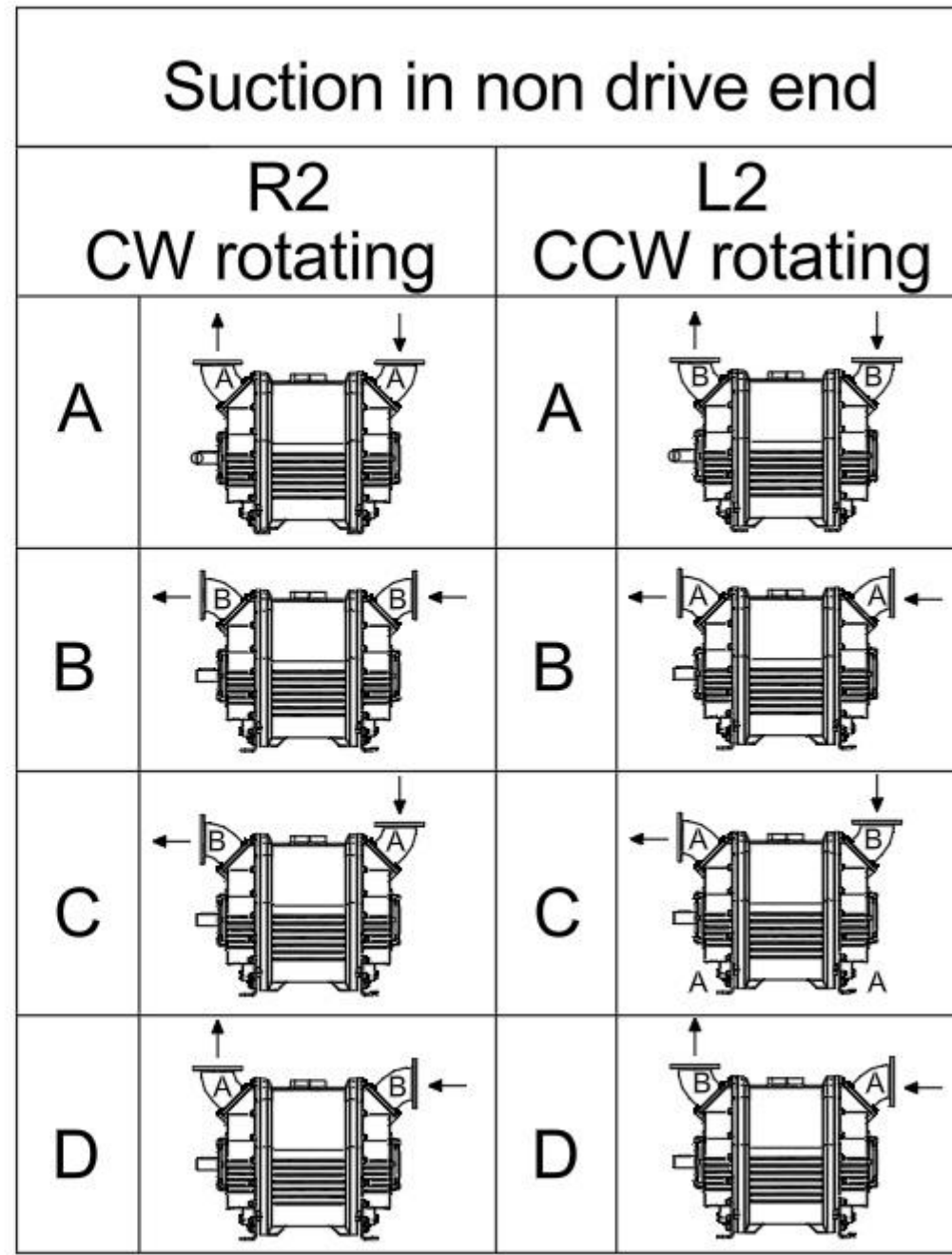
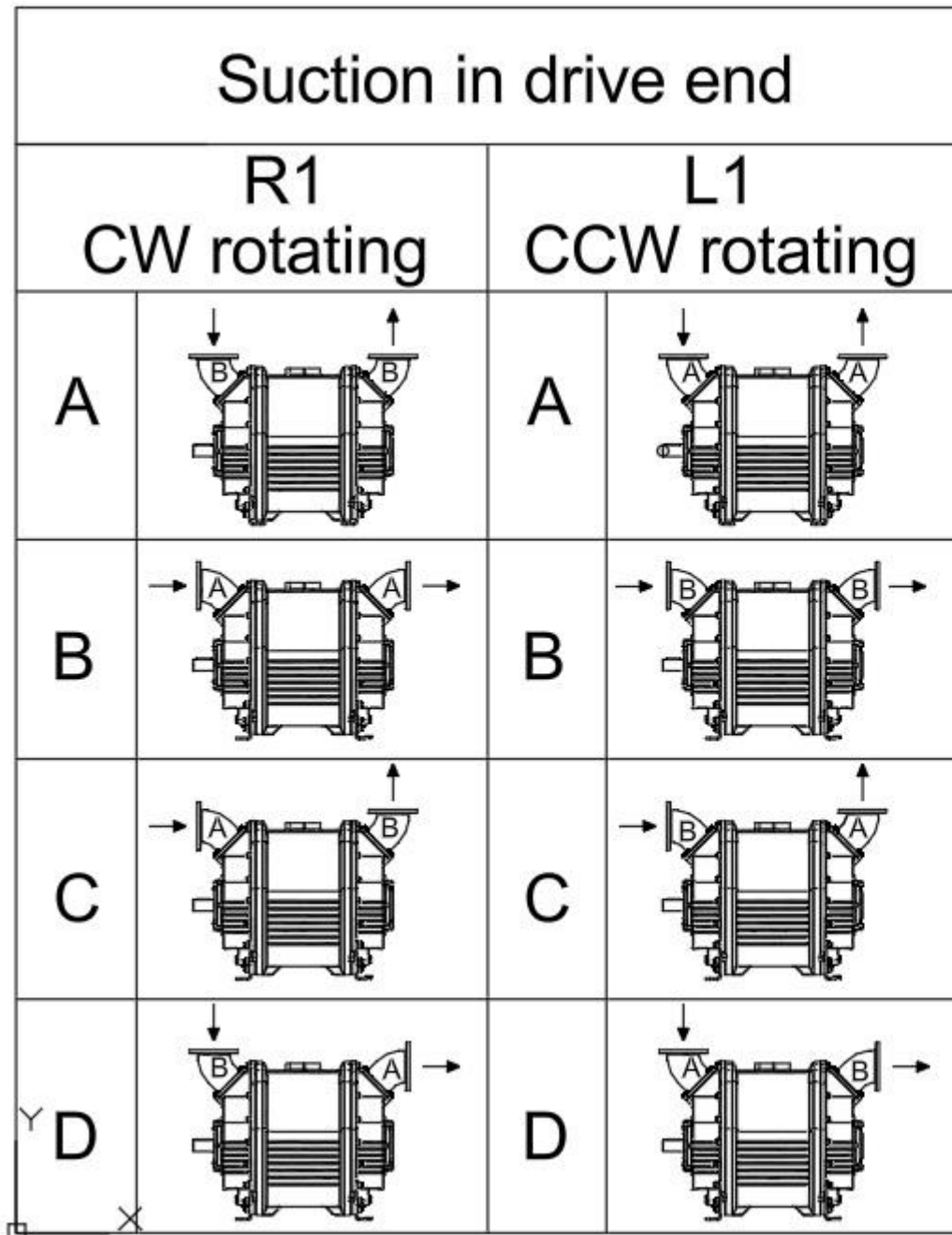
5

4

3

2

1



NOTE:

DDMMYY		DDMMYY				
Title:		WRP2500R		Format	Sign	Date of creation
Hydraulic motor set for WRP2500 cm3/rev 125 ISO				A3	3D:JJ 2D:JJ	20-04-2026
				Surf. treat.		
				Part number		Sheet
				1700162		2 of 2
						Rev.

SAMSON PUMPS

Reproduction not permitted, may not be distributed, copied or used by third parties, without written authorization from Samson Pumps A/S. All rights reserved.