

6 5 4 3 2 1

D

D

C

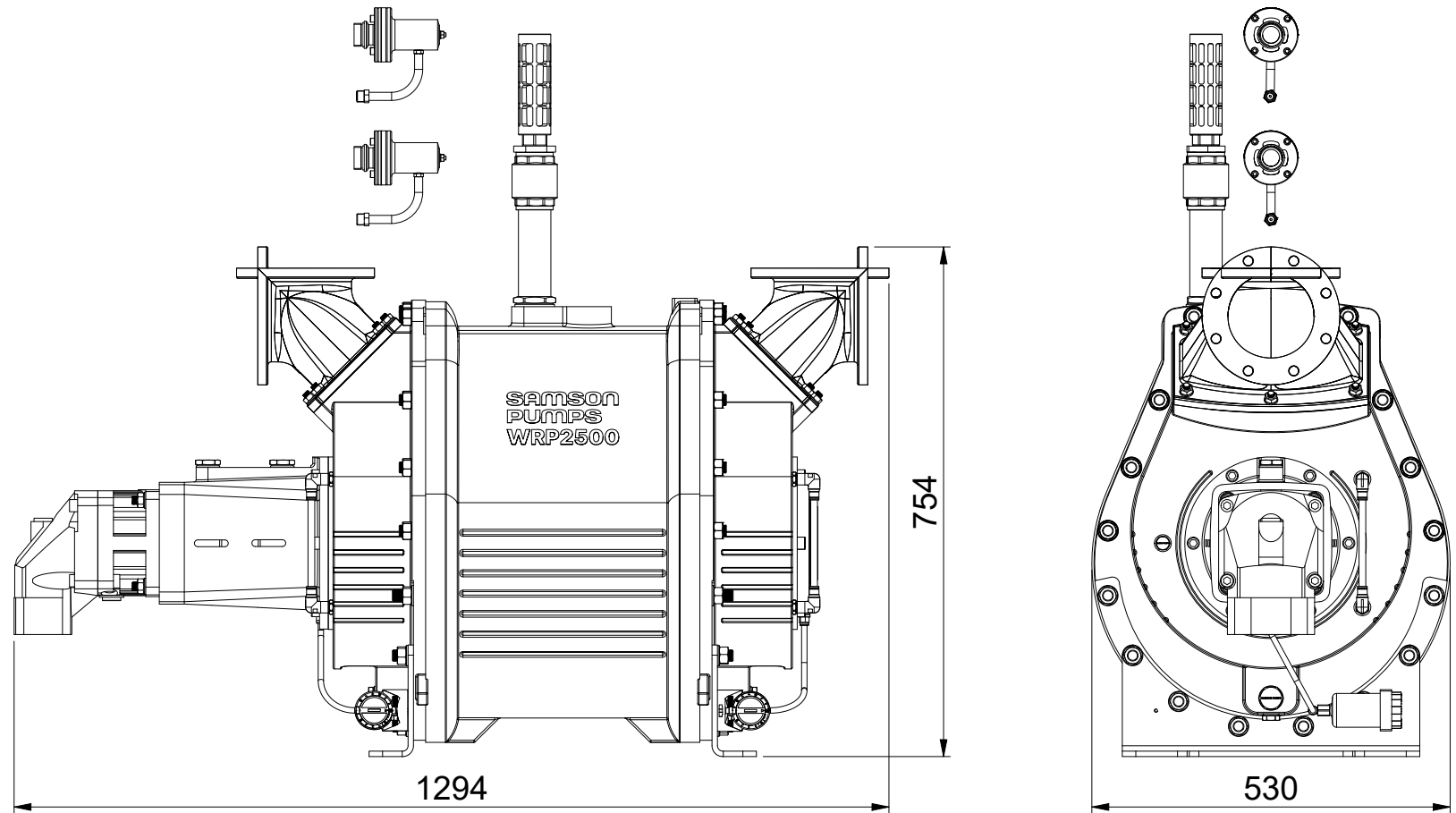
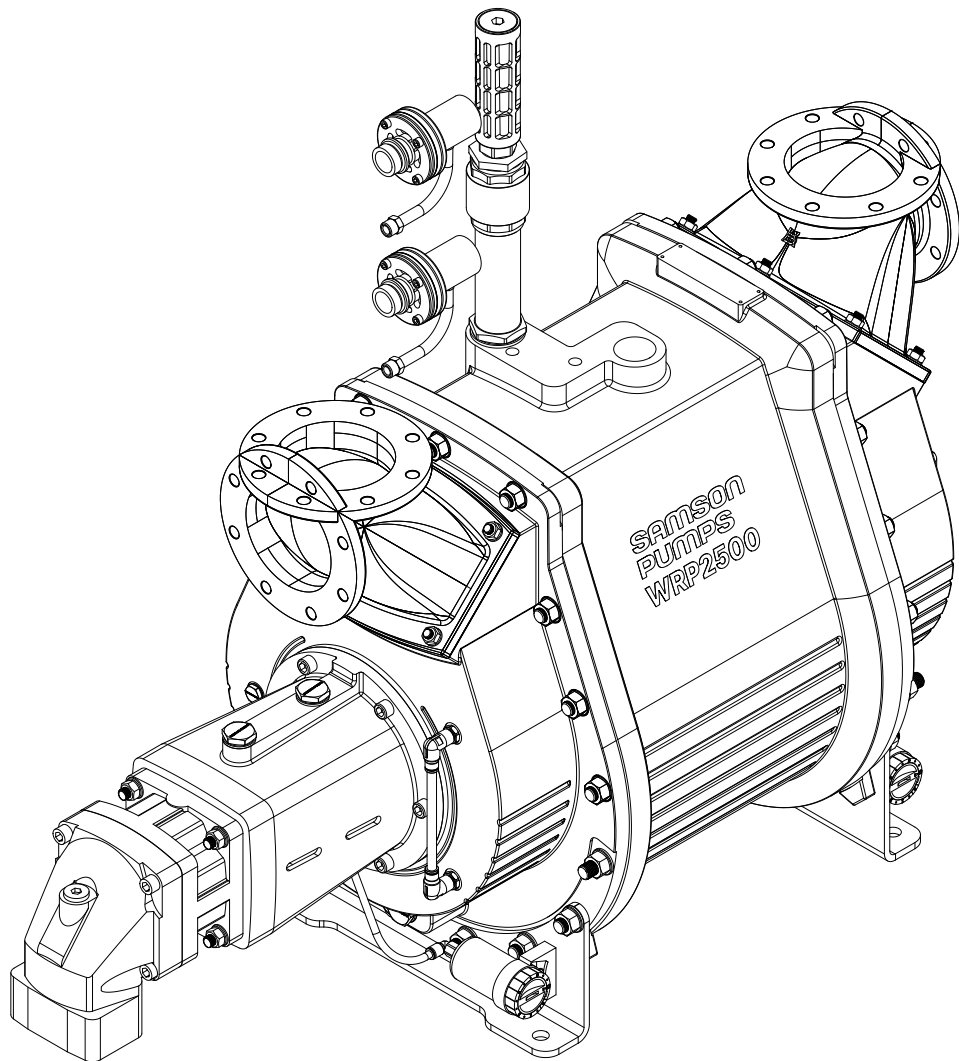
C

B

B

A

A



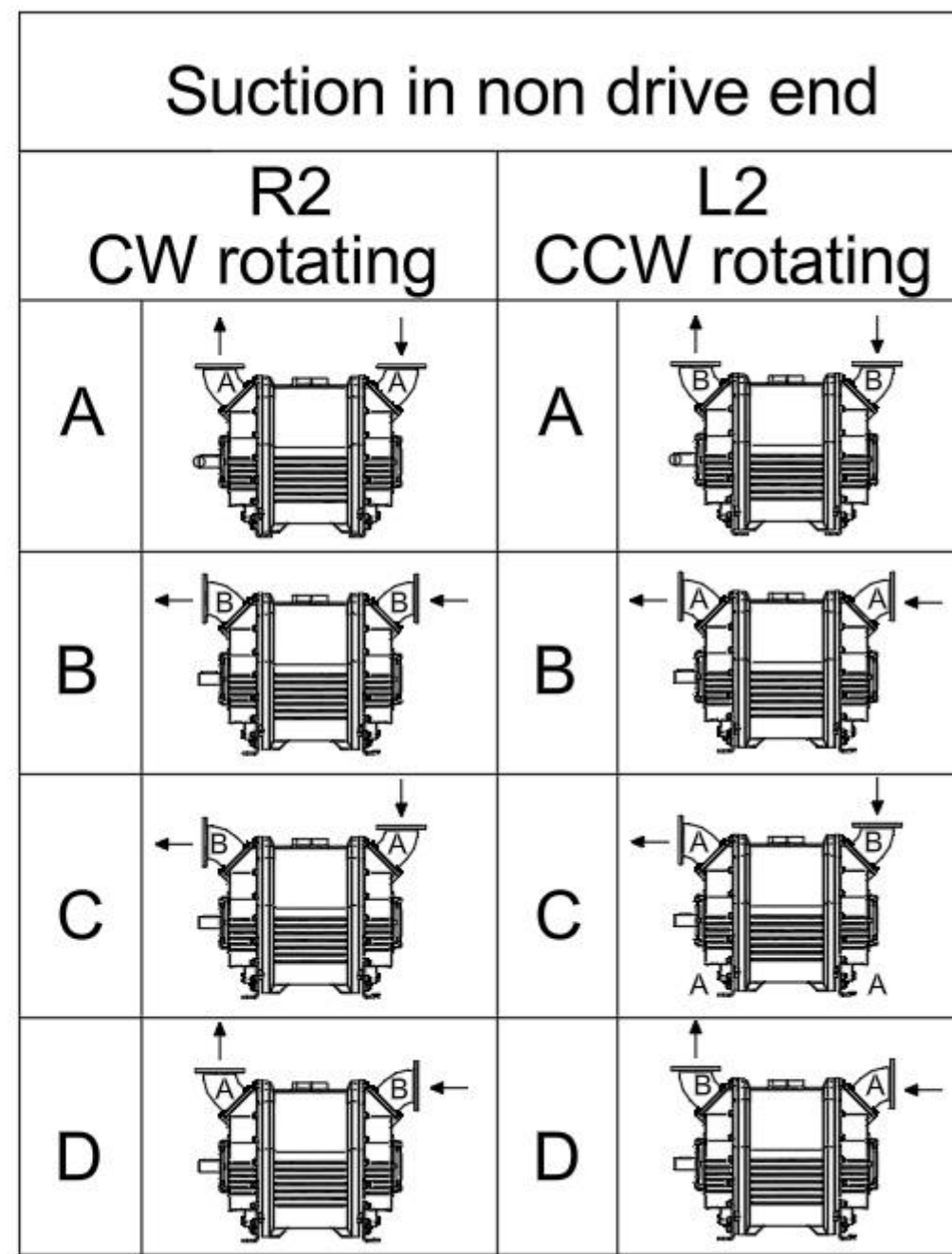
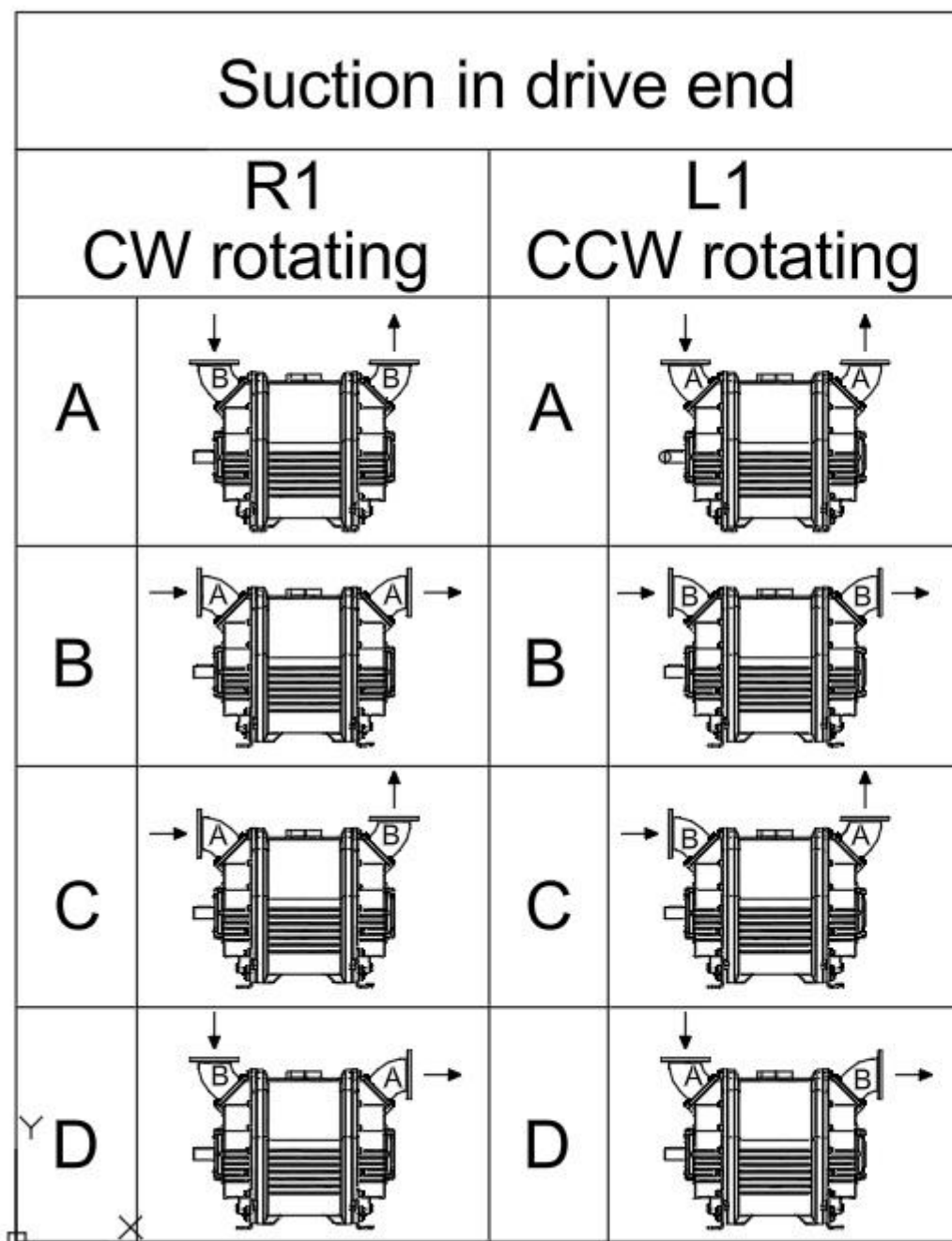
PS! All combinations are shown, remove the ones you don't have for your pump.
 PS! Ex.1 and a regular model look the same from the outside.

See Diagram on Sheet 2 for selecting Connection flange.
 Connection flange type A Item no: 1659017
 Connection flange type B Item no: 1659039

NOTE:

	DDMMYY			
	DDMMYY			
Title:	WRP2500R	Format	Sign	Date of creation
		A3	3D:JJ 2D:JJ	20-04-2026
		Surf. treat.		
		Part number		Sheet 1 of 2
		SAMSON PUMPS		Rev.
		Reproduction not permitted, may not be distributed, copied or used by third parties, without written authorization from Samson Pumps A/S. All rights reserved.	1700161	

6 5 4 3 2 1



NOTE:

DDMMYY		DDMMYY			
Title:		WRP2500R		Format	Sign
Hydraulic motor set for WRP2500 cm3/rev 093 ISO				A3	3D:JJ 2D:JJ
				Surf. treat.	Date of creation
					20-04-2026
				Part number	
				1700161	
				Sheet	
				2 of 2	
				Rev.	

SAMSON PUMPS

Reproduction not permitted, may not be distributed, copied or used by third parties, without written authorization from Samson Pumps A/S. All rights reserved.